

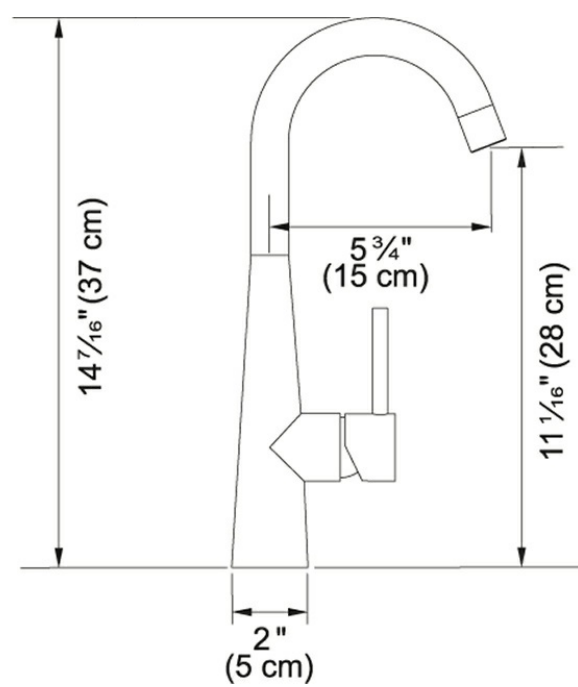
## Steel FFB3450 Stainless Steel

The effortless modern design of Franke's Steel faucets are constructed of solid stainless steel for superior corrosion resistance, inside and out, making these faucets a culinary necessity.

### Product Picture



### Technical Drawing



### Product Information

Version	Arc Spout
Spray Type	Full Stream
Faucet Operation	Side Lever
Flow Rate	1.75 gpm
Cartridge	Ceramic Cartridge
Where to buy	Showroom
Countertop hole diameter	1 3/8"

### Article Numbers

FUN#	115.0355.505
US Part Number	FFB3450

